



CAMPING EQUIPMENTCO.COM

www.campingequipmentco.com

Tent Assembly Instructions

SATURN

Congratulations and thanks for your purchase! This booklet will tell you everything you need to properly assemble your tent and maintain it.

Follow these instructions carefully and you'll enjoy many years of use – please note that this product is intended for mild, 3 season, family camping use and not for extreme conditions of weather and use

1

Carrying bag X 1  
Fly X 1  
Inner tent X 1  
Repair kit X 1  
guy rope X 18  
Plastic anchor X 14  
Steel stakes X 25  
groundsheet X 1

2.13 meters X 1 line, 4 sections per line

2m x 2 Assemble the steel by fitting the 3 sections together

6.06 meters X 5 lines, 7 sections per line

2

a) Lay the rain fly on the ground as flat as possible.  
b) Insert the color coded poles to the corresponding sleeves.  
c) Insert the pins found at the bottom of the tent into the poles.

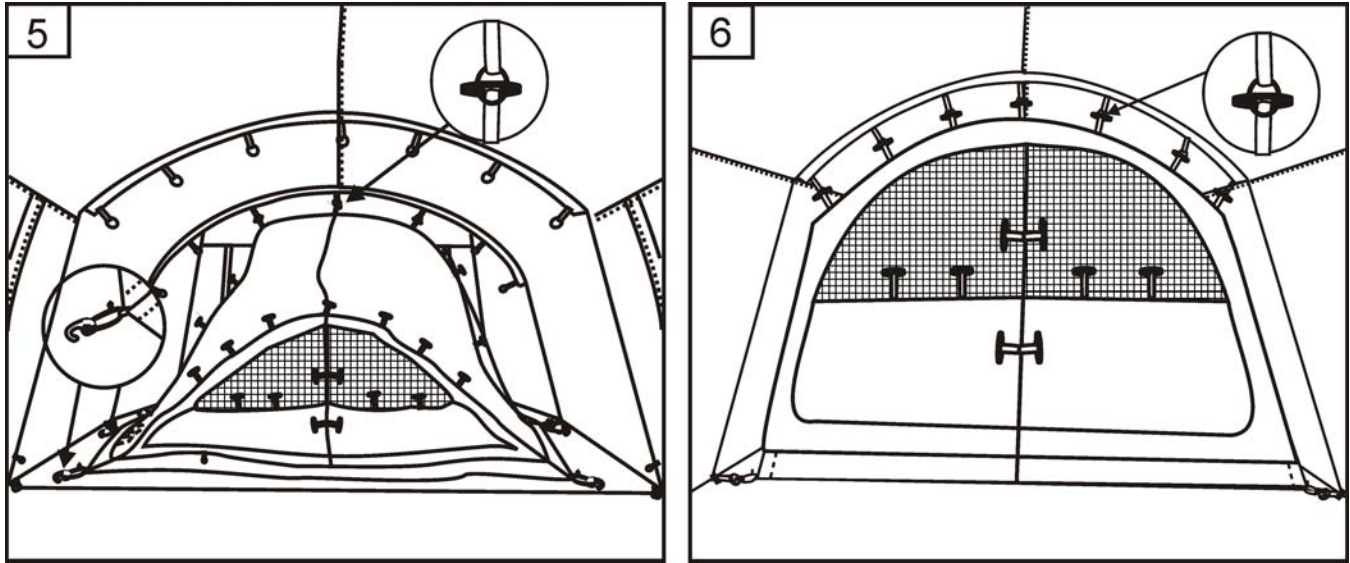
3

a) Clip the hooks to the poles.  
b) Stake down the poles and the other tent corners.  
c) Erect the steel poles to lift doors through eyelets of doors.

4

Pull the guy ropes and stake down-this will keep the tent more stable in the strong winds.

Visit us online at [www.campingequipmentco.com](http://www.campingequipmentco.com) and be sure to join our Facebook and Twitter pages for new product information and to receive special offers and discounts on our camping equipment.



### CARING FOR YOUR TENT:

- Keep it clean: Don't set up your tent in the mud, avoid putting muddy clothing and gear in the sleeping compartments as sand and dirt can scratch the water proof coating and damage zippers
- UV light can accelerate fabric degradation. Therefore, set up your tent in the shade when possible and use the rain fly to protect the inner tent
- To prolong the life of your tent floor, we recommend the use of a tent footprint or separate sheet of PE (tarpaulin) fabric underneath the tent floor to protect against abrasion
- When packing up, shake out dirt and sand as much as possible
- At home, clean your tent with a damp cloth, never use harsh cleaning chemicals, and air dry
- When storing, allow the tent to sit loosely to prevent creases