



CAMPING EQUIPMENTCO.COM

www.campingequipmentco.com

Tent Assembly Instructions

OBERON

Congratulations and thanks for your purchase! This booklet will tell you everything you need to properly assemble your tent and maintain it.

Follow these instructions carefully and you'll enjoy many years of use – please note that this product is intended for mild, 3 season, family camping use and not for extreme conditions of weather and use

**1**

Carrying bag X 1      Fly X 1      Inner tent X 3

guy rope X 26      Repair kit X 1

Plastic anchor X 14      Steel stakes X 40

groundsheet X 1

1.7m x 2 Assemble the steel by fitting the 3 sections together

1.64 steel+1.77 fibreglass + 1.64 steel X1 line red color coded at bottom of sleeves

5.09 meters X 3 lines, 9 sections per line(for green sleeves)

6.76 meters X 3 lines, 11 sections per line(for blue sleeves)

**2**

a) Lay the rain fly on the ground as flat as possible.  
b) Insert the blue and green color coded poles to the corresponding sleeves.

**3**

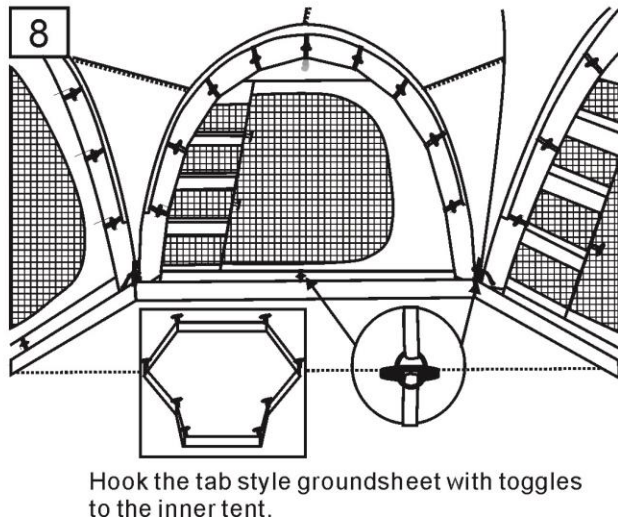
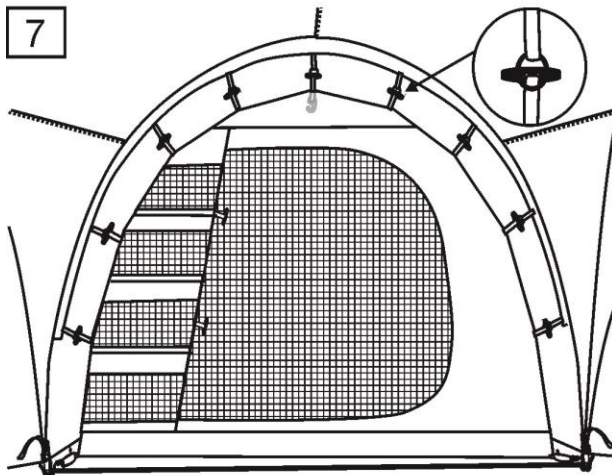
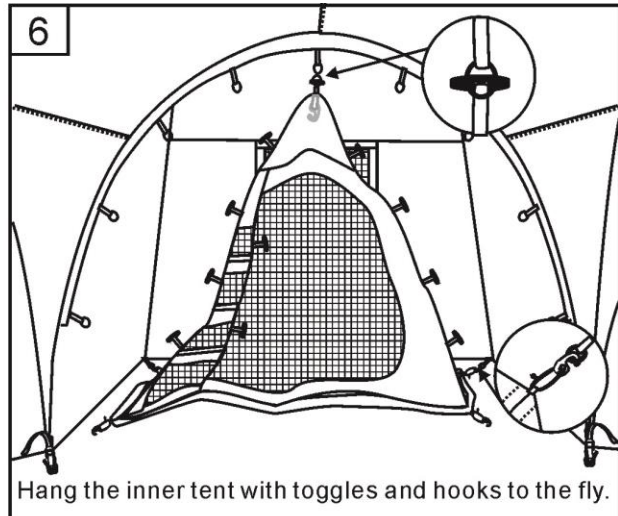
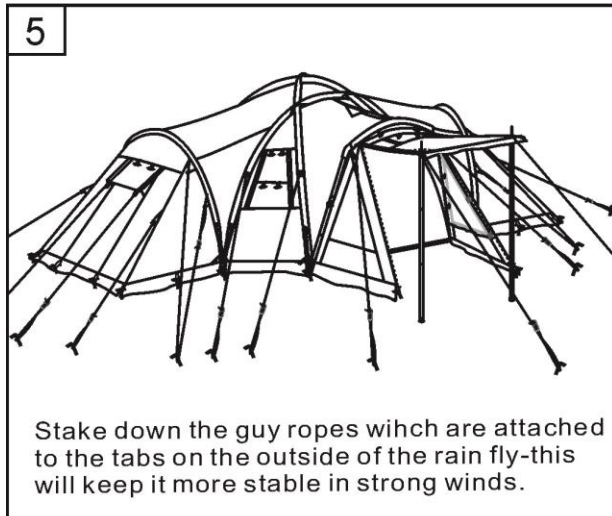
To assemble the main door entrance, the middle is fibreglass pole, two ends are steel pole.

**4**

Pull the guy ropes. Peg down the poles with steel stakes respectively.

- 1.64 steel+1.77 fibreglass + 1.64 steel X1 line ( red color coded at bottom of sleeves)
- 5.09 meters x 3 lines, 9 sections per line(for green sleeves, color coded at bottom of sleeves)
- 6.76 meters x 3 lines, 11 sections per line(for blue sleeves, color coded at bottom of sleeves)

Visit us online at [www.campingequipmentco.com](http://www.campingequipmentco.com) and be sure to join our Newsletter to receive special offers and discounts on our camping equipment.



## CARING FOR YOUR TENT:

- Keep it clean: Don't set up your tent in the mud, avoid putting muddy clothing and gear in the sleeping compartments as sand and dirt can scratch the water proof coating and damage zippers
- UV light can accelerate fabric degradation. Therefore, set up your tent in the shade when possible and use the rain fly to protect the inner tent
- To prolong the life of your tent floor, we recommend the use of a tent footprint or separate sheet of PE (tarpaulin) fabric underneath the tent floor to protect against abrasion
- When packing up, shake out dirt and sand as much as possible
- At home, clean your tent with a damp cloth, never use harsh cleaning chemicals, and air dry
- When storing, allow the tent to sit loosely to prevent creases