



CAMPING EQUIPMENTCO.COM

www.campingequipmentco.com

Tent Assembly Instructions

NEXUS

Congratulations and thanks for your purchase! This booklet will tell you everything you need to properly assemble your tent and maintain it.

Follow these instructions carefully and you'll enjoy many years of use – please note that this product is intended for mild, 3 season, family camping use and not for extreme conditions of weather and use

1

Carrying bag X 1
Fly X 1
Inner tent X 4
guy rope X 20
Repair kit X 1
Plastic anchor X 46
groundsheet X 1

1.65m x 2 Assemble the steel by fitting the 3 sections together

1.67 steel+1.61 fibreglass + 1.67 steel X1 line green color coded at bottom of sleeves

4.64 meters X 4 lines, 8 sections per line(for blue sleeves)

6.95 meters X 3 lines, 11 sections per line(for red sleeves)

2

a) Lay the rain fly on the ground as flat as possible.
b) Insert the longest assembled red pole through the fly sleeve.
c) Insert the corresponding pins (located at the bottom edges of the rain fly) into the ends of each pole.

3

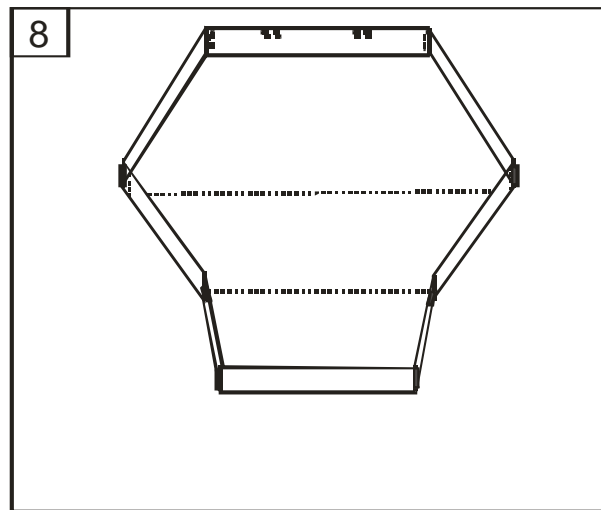
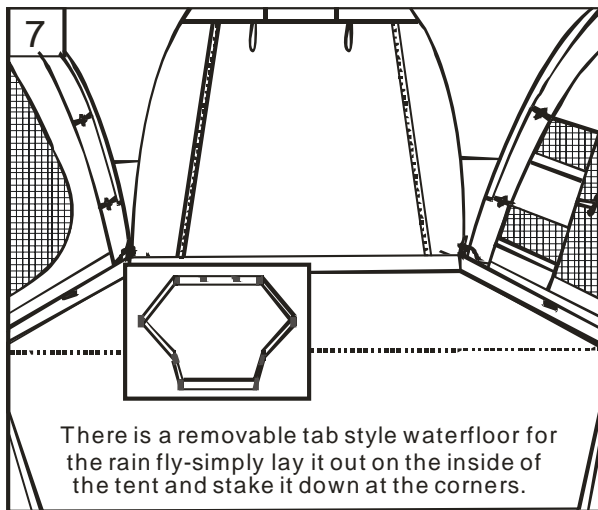
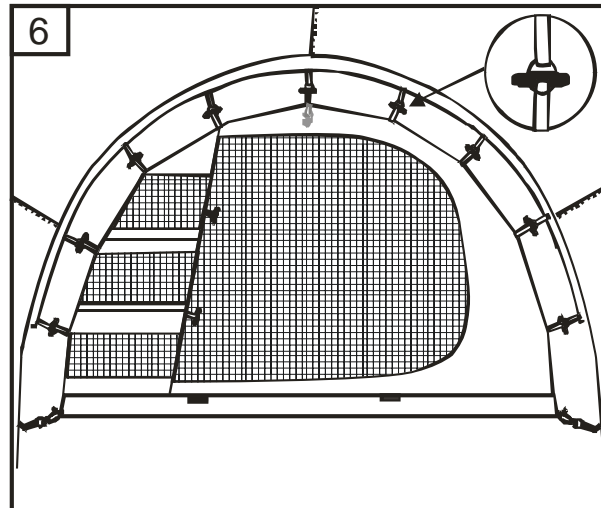
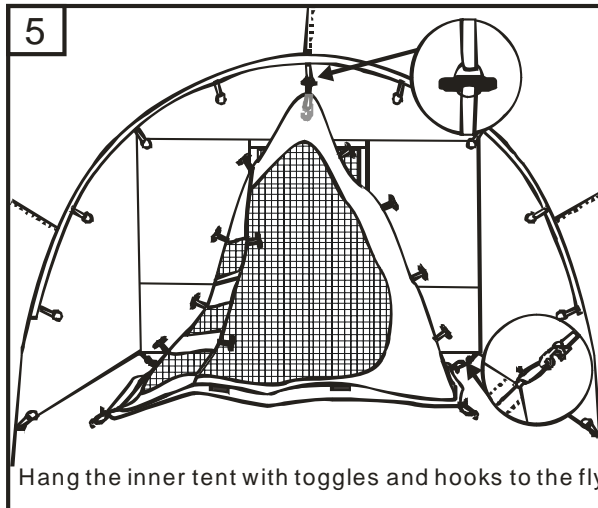
a) Attach the top hat as showed at top.
b) Insert the other poles to sleeves and stake down.
c) Pull the guy ropes and stake the other corners of the tent.

4

Stake down the guy ropes which are attached to the tabs on the outside of the rain fly-this will keep it more stable in strong winds

- 1.67 steel+1.61 fibreglass + 1.67 steel X1 line(green color coded at bottom of sleeves)
- 4.64 meters x 4 lines, 8 sections per line(for blue sleeves, color coded at bottom of sleeves)
- 6.95 meters x 3 lines, 11 sections per line(for red sleeves, color coded at bottom of sleeves)

Visit us online at www.campingequipmentco.com and be sure to join our Facebook and Twitter pages for new product information and to receive special offers and discounts on our camping equipment.



CARING FOR YOUR TENT:

- Keep it clean: Don't set up your tent in the mud, avoid putting muddy clothing and gear in the sleeping compartments as sand and dirt can scratch the water proof coating and damage zippers
- UV light can accelerate fabric degradation. Therefore, set up your tent in the shade when possible and use the rain fly to protect the inner tent
- To prolong the life of your tent floor, we recommend the use of a tent footprint or separate sheet of PE (tarpaulin) fabric underneath the tent floor to protect against abrasion
- When packing up, shake out dirt and sand as much as possible
- At home, clean your tent with a damp cloth, never use harsh cleaning chemicals, and air dry
- When storing, allow the tent to sit loosely to prevent creases