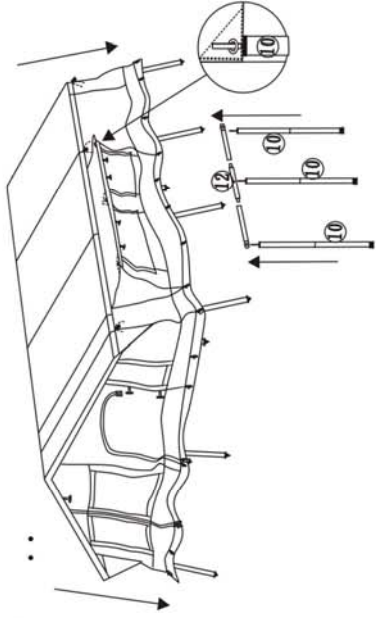
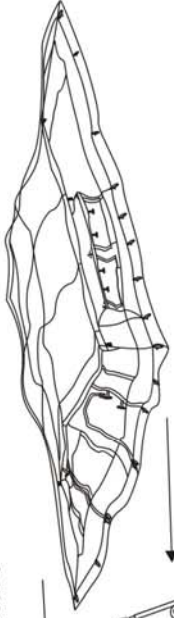
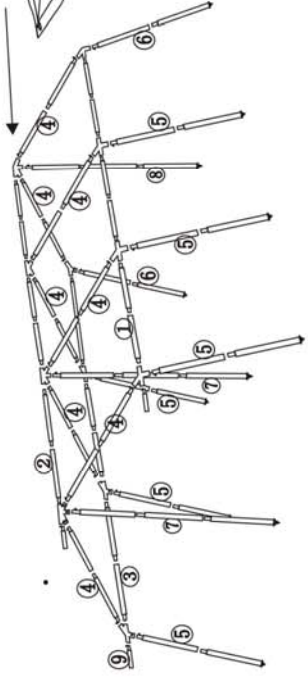


The Camping Equipment Co.

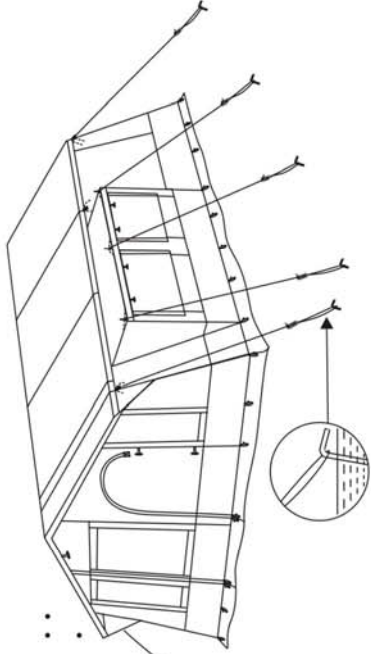
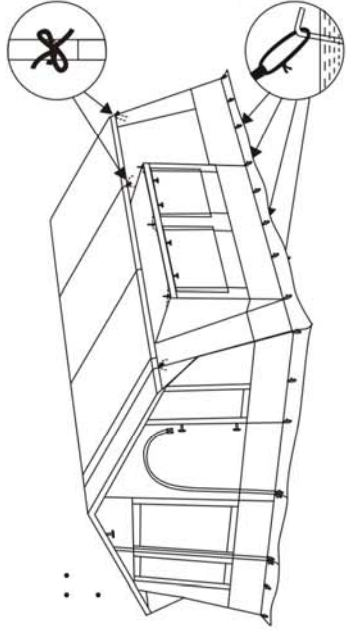
Tent Assembly Instructions , Model:Galileo

- ① Each pole type is numbered in the diagram: assemble the pole frame according to the picture instructions.



- ② Put the rain fly over the frame starting at the roof and work downwards.

- ③ Stake down the rain fly along the bottom edges and the guy ropes.



- ④ Hook the inner tent to the steel poles inside the rain fly and stake down along the bottom edge of the inner tent. There is a pole #11 for hanging clothes between the right 2 inner tents. There are 2 separated small rooms as shown.

.. ..

