

The Camping Equipment Co.

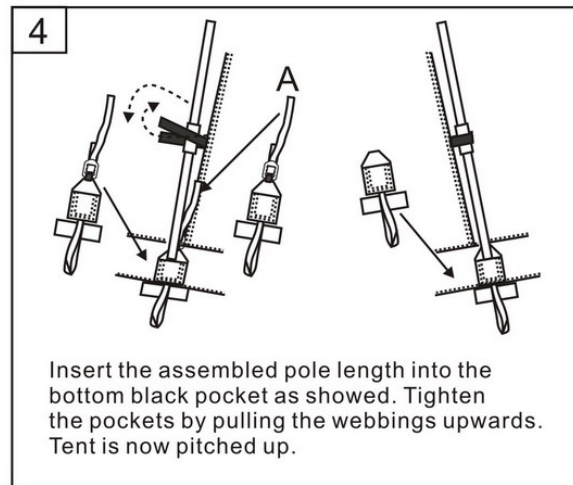
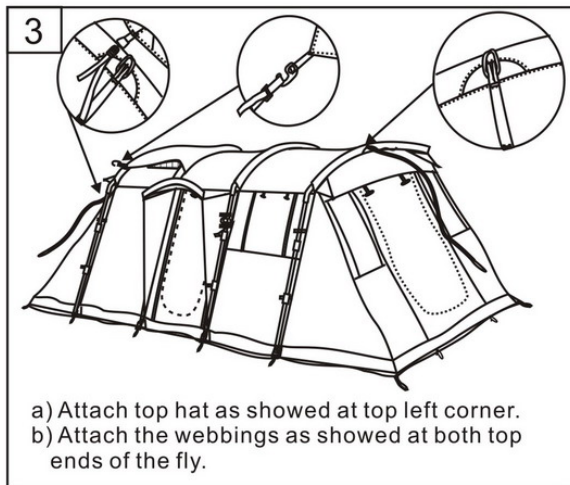
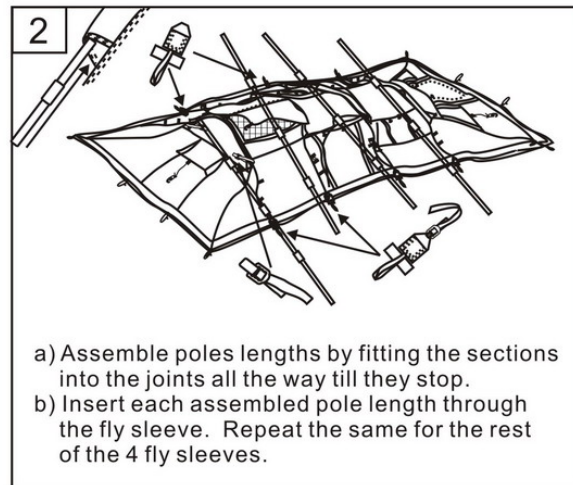
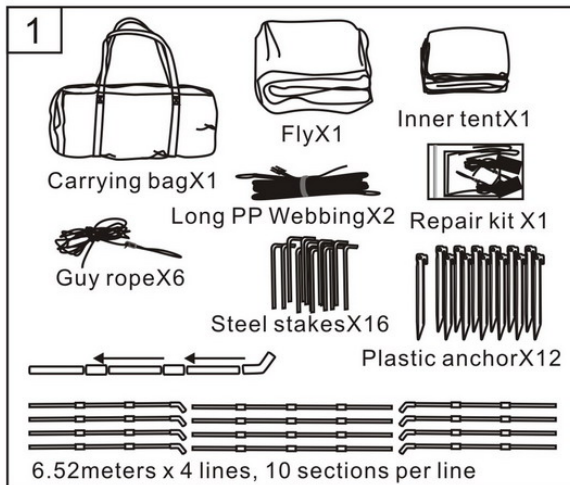
www.campingequipmentco.com

Tent Assembly Instructions , Model: MARS

Congratulations and thanks for your purchase! We have tried to make the assembly instructions as clear and concise as possible so you can get on with enjoying your tent quickly and with minimal fuss.

We've also included some tips on how to prolong the life of your tent - if you follow this advice, you will be able to enjoy your tent for years to come!

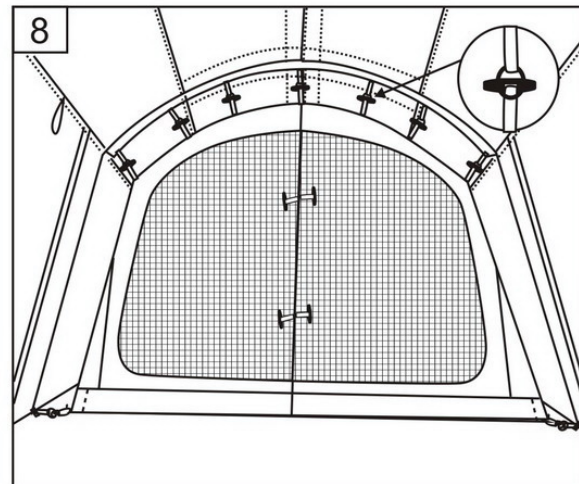
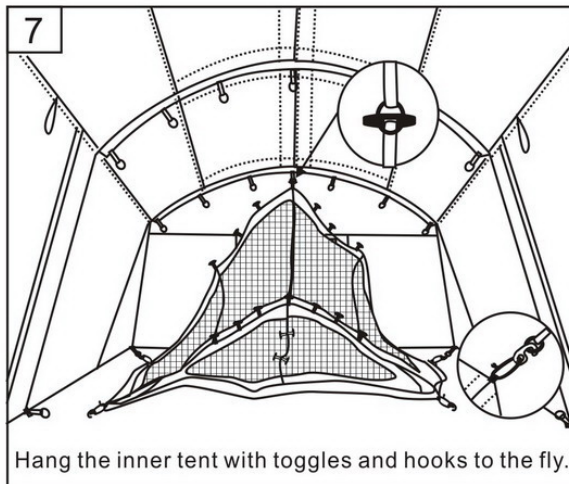
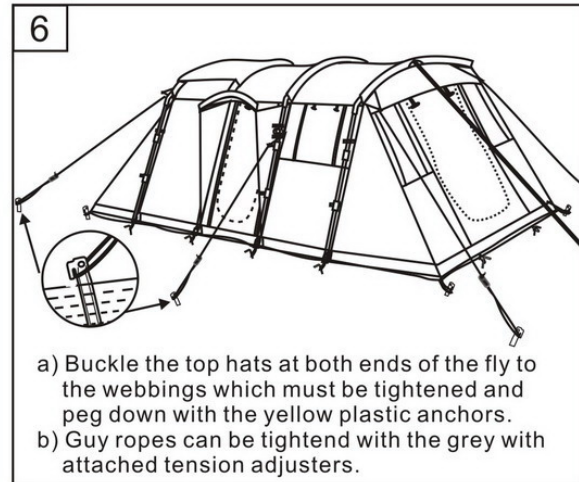
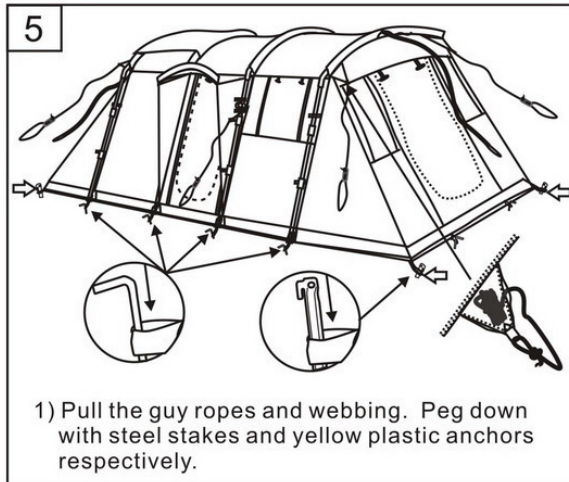
Warning : Not suitable in snowy winter weather!



The Camping Equipment Co.

www.campingequipmentco.com

Tent Assembly Instructions , Model: MARS



CARING FOR YOUR TENT:

1. Keep it clean: Don't set up your tent in the mud, avoid putting muddy clothing and gear in the sleeping compartments as sand and dirt can scratch the water proof coating and damage zippers
2. UV light can accelerate fabric degradation. Therefore, set up your tent in the shade when possible and use the rain fly to protect the inner tent
3. To prolong the life of your tent floor, use a separate sheet of PE fabric underneath the tent to protect against abrasion
4. When packing up, shake out dirt and sand as much as possible
5. At home, clean your tent with a damp cloth, never use harsh cleaning chemicals, and air dry
6. When storing, allow the tent to sit loosely to prevent creases
7. It's normal to see used pole slightly bend.